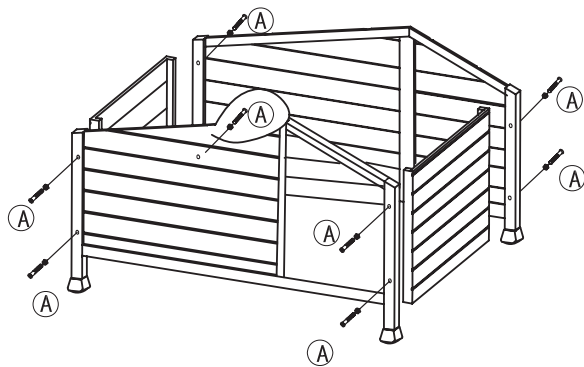
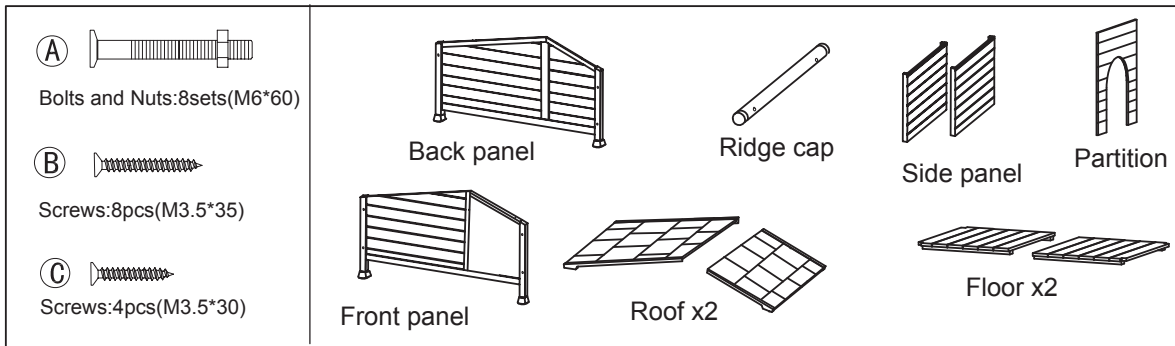
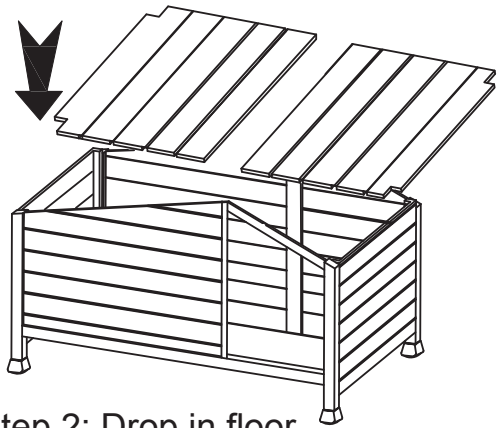


WOODEN DOG HOUSE

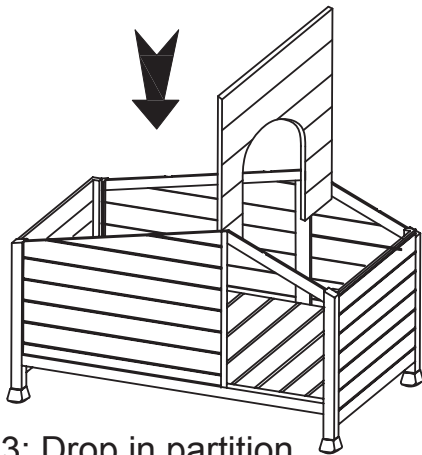
ASSEMBLY INSTRUCTIONS



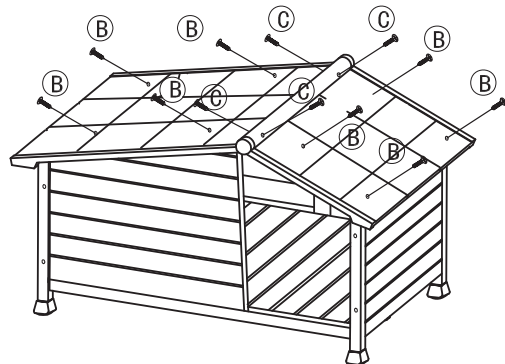
Step 1: Set up front , back and side panels.



Step 2: Drop in floor .



Step 3: Drop in partition.



Step 4: Secure roof panel and ridge cap.(Finished)